



Legends 600

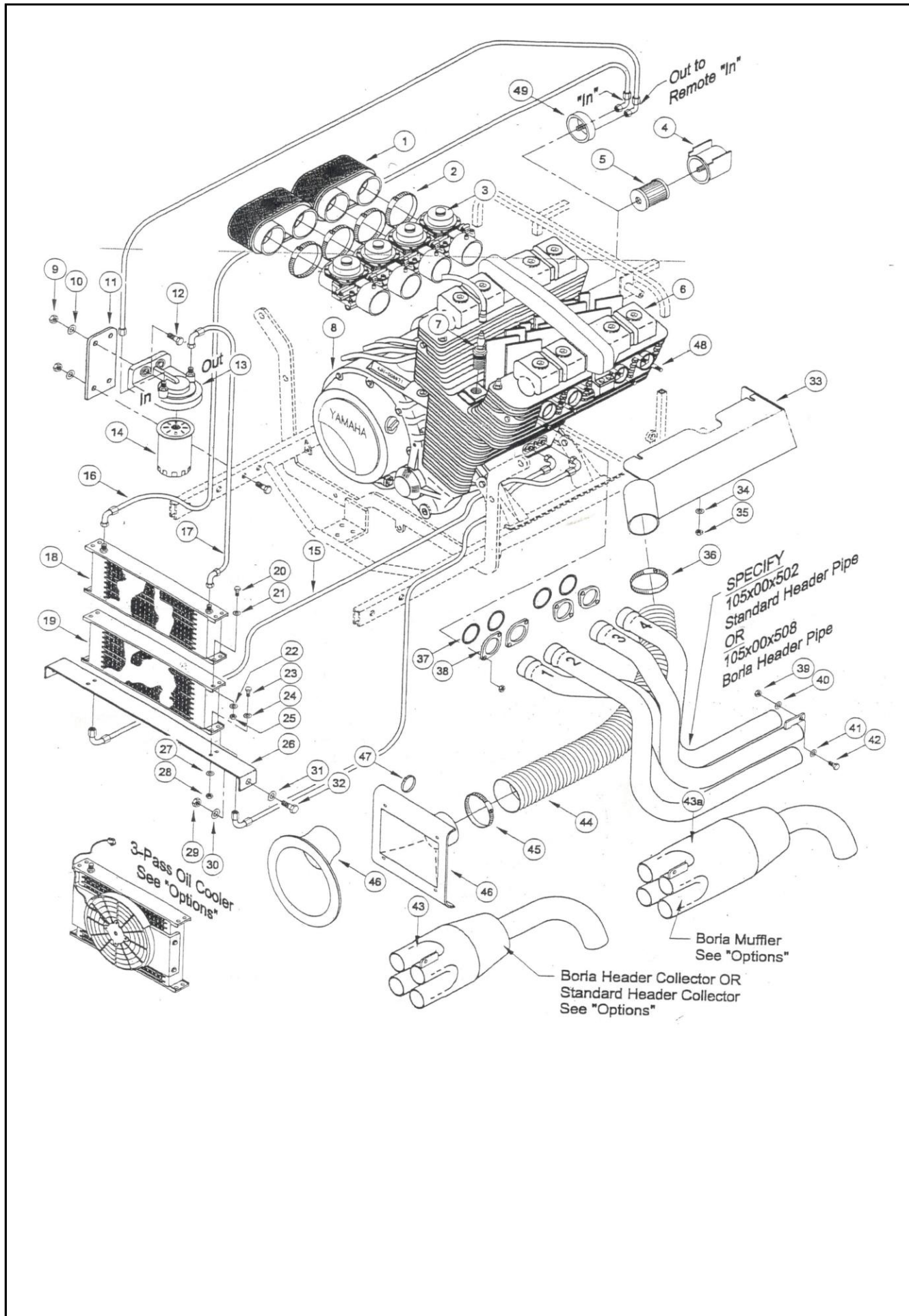
Spare Parts Catalogue

(Каталог запасных частей Legends 600)

TEXOL
RACING



Engine — Maintenance





ENGINE AND COOLING

REF #	PART #	DESCRIPTION	QTY
1	105X00x151	AIR FILTER FJ/XJ 1200	2
OPTIONAL	105X00X152	AIR FILTER K&N DUAL 3"	2
2	Y9046052264	Y CARB CLAMP	4
3	105X00X020	BLITZ 4 CARBS	1
4	Y4KG134470000	OIL FILTER COVER	1
5	Y36Y134410000	YAMAHA OIL FILTER	1
6	Y4KG11111G00	VALVE COVER GROMMET XJ	8
7	YNGKDP8EA9000	SPARK PLUG NGK 8 DP	4
	YNGKDPR9EA9	SPARK PLUG NGK 9 DP	4
	YJR9C	SPARK PLUG JR9C	4
8	105X00X008	BLITZ 4 ENGINE	1
OPTIONS	105X00X011	TOP END OILER INSTALLED	1
	105X00X010	HD VALVE SPRINGS INSTALLED	1
	989X00X052	LABOR TO PIN CAMSHAFT	1
	105X00X417	XJR 1300 SLEEVE	4
	989X00X057	LABOR TO SLEEVE CYLINDER	1
9	H510125003	1/4-20 NYLOC NUT	1
10	H520025001	1/4 FLAT WASHER	1
11	105X00X360	OIL FILTER MOUNTING BRAKET (RED)	1
12	H505125100	1/4 - 1.00 BOLT	1
13	105X00X356	OIL FILTER ADAPTOR (2-PORT)	1
	105X00X363	OIL FILTER ADAPTOR (4-Port)	1
14	105X00X359	OIL FILTER FOR REMOTE	1
15	105X00X315	OIL UNE #8	3FT
16	105X00X350	#8 OIL LINES FOR REMOTE	1
17	105X00X315	OIL LINE #8	3FT
18	105X00X300	SETRAB 910 OIL COOLER #6 OR #8	1
19	105X00X321	SETRAB 2-PASS OIL COOLER #6 OR #8	1
	105X00X310	3-PASS OIL COOLER KIT	1
	105X00X311	OIL COOLER FAN 9"	1
	105X00X313	OIL COOLER 3-PASS	1
20	H505125100	1/4 - 1.00 BOLT	1
21	H520025001	1/4 FLAT WASHER	1
22	H520025001	1/4 FLAT WASHER	1
23	H505125100	1/4- 1.00 BOLT	1
24	H520025001	1/4 FLAT WASHER	1
25	H510125003	1/4-20 NYLOC NUT	1
26	105X00X303	OIL COOLER BRACKET	1
27	H520025001	1/4 FLAT WASHER	1
28	H510125003	1/4-20 NYLOC NUT	1
29	H510125003	1/4-20 NYLOC NUT	1
30	H520025001	1/4 FLAT WASHER	1
31	H520025001	1/4 FLAT WASHER	1
32	H505125175	1/4 X 1.75 BOLT	1
33	105X00X110	ENGINE AIR DUCT, LOWER CHEVY	1
	105X00X101	ENGINE AIR DUCT, LOWER FORD	1
34	H530008000	8MM LOC WASHER	8
35	H532108125	8MM-1.25 METAL LOC NUT	8
36	105X00X103	ENG AIR DUCT HOSE CLAMP	2
37	Y4BE146130000	EXHAUST GASKET	4
38	105X00X516	HEADER FLANGE	4
39	H510225001	1/4-28 HEX NUT PLATED	1
40	H520025001	1/4 FLAT WASHER	1



ENGINE AND COOLING

REF #	PART #	DESCRIPTION	QTY
41	H520025001	1/4 FLAT WASHER	1
42	H505125100	1/4 -1.00 BOLT	1
43	105X00X500	LEGENDS STANDARD HEADER	1
	105X00X509	BORLA HEADER W/MUFFLER	1
	105X00X501	STANDARD HEADER COLLECTOR	1
	105X00X502	STANDARD HEADER PIPE (1-4)	1
	105X00X503	STANDARD HEADER SPRING	4
	105X00X507	BORLA COLLECTOR	1
	105X00X508	BORLA HEADER PIPE (1-4)	1
	105X00X510	BORLA MUFFLER ONLY	1

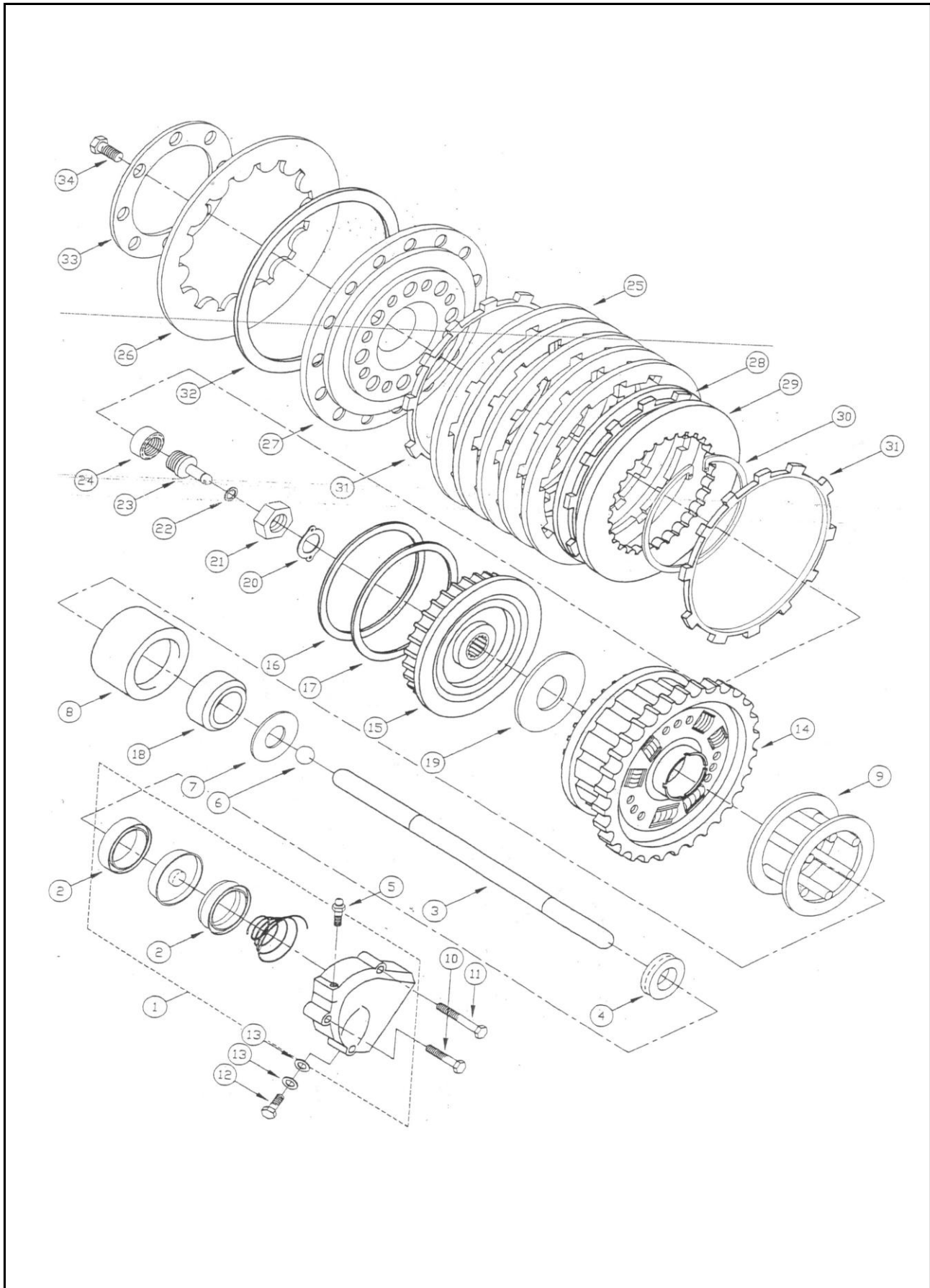
OPTIONS & ACCESSORIES

REF #	PART #	DESCRIPTION	QTY
AIR CLEANER	105X00X154	K&N AIR FILTER CLEANER KIT	1
	975000X081	AIR PREFILTER COVERAGE-DUAL (EACH)	2
	975000X082	AIR PREFILTER COVER LARGE	1
	975000X084	AIR PREFILTER COVER SMALL	4
ENGINES	105x00x362	TOP END OILER KIT	1
	975000x831	HD VALVE SPRING KIT	1
	975000x401	TECH ENGINE CARRIER STAND	1
	975000x402	ENGINE HOIST CRADLE	1
PISTONS 1200`s ONLY	105X00X404	WISECO PISTON KIT 1188	1
	105X00X401	WISECO PISTON KIT 1195 (.10 OVER)	1
	105X00X402	WISECO PISTON KIT 1199 (.20 OVER)	1
	105X00X403	WISECO PISTON KIT 1201 (.22 OVER)	1
OIL FITTINGS	105x00x324	OIL PAN ADAPTER FITTING AN-8 BLUE	1
	105X00X325	OIL PAN ADAPTER FITTING AN-6 RED	1
	105X00X316	OIL LINE #8 90 DEG FITTING	1
	105X00X319	OIL LINE #8 STRAIGHT FITTING	1
	105X00X358	REMOTE OIL FILTER MOUNTING KIT	1

600 RACING, inc; ООО "Русское кольцо", МО, г. Люберцы, с. Верхнее Мячково, аэродром Мячково



CLUTCH ASSEMBLY





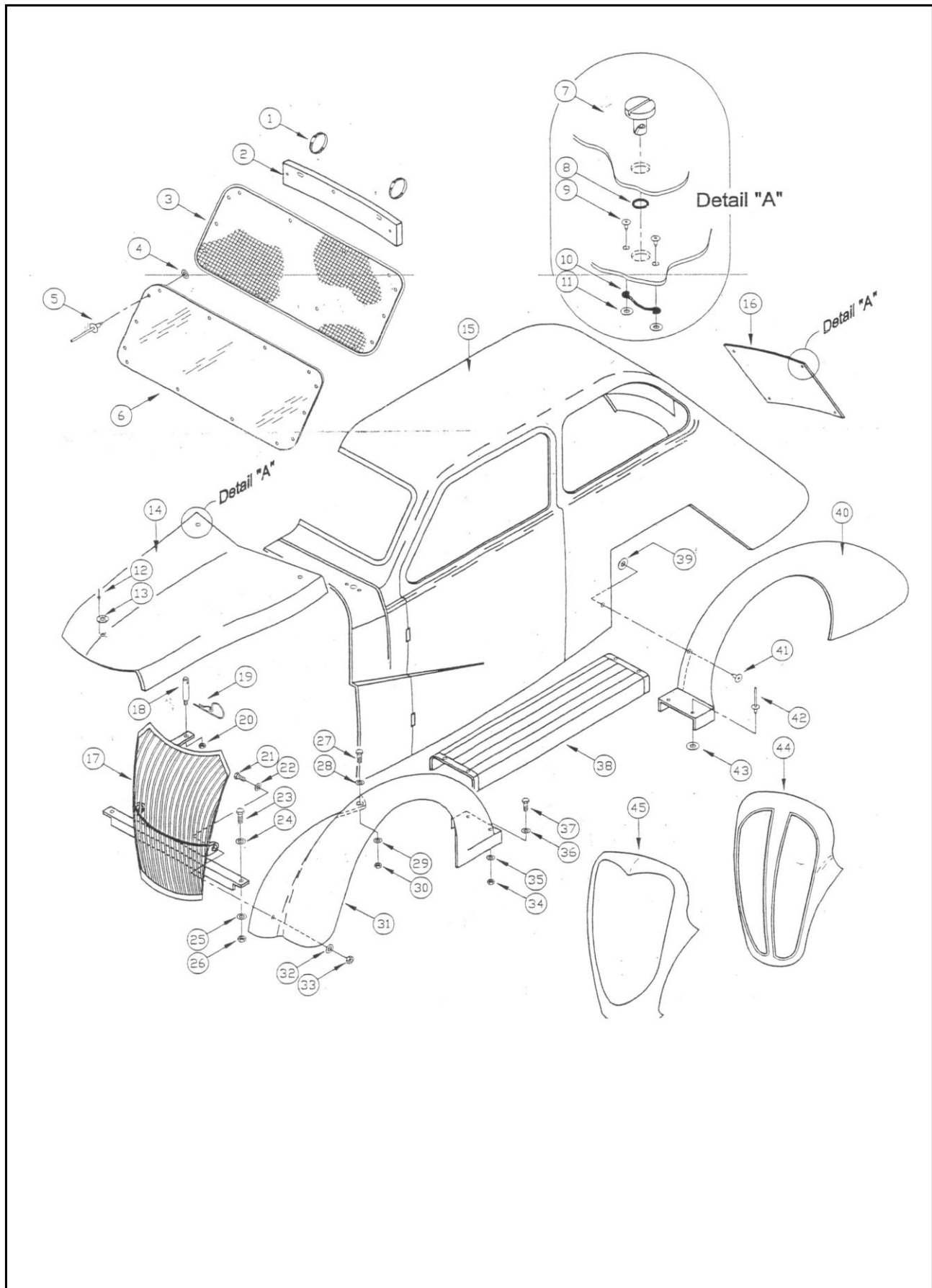
CLUTCH ASSEMBLY

REF #	PART #	DESCRIPTION	QTY
1	Y36Y163811100	CLUTCH SLAVE CYLINDER	1
2	Y26HW00980000	CLUTCH SLAVE SEAL KIT	2
3	Y3CV1635700	CLUTCH PUSH ROD 2	1
4	99310908061	CLUTCH SHAFT OIL SEAL	1
5	Y36YWO04800	CLUTCH BLEED SCREW KIT	1
6	Y9351132027	CLUTCH BALL	1
7	Y90201286H8	CLUTCH PLATE WASHER	1
8	Y36Y1618100	CLUTCH SPACER 1	1
9	Y93310350M3	CLUTCH BEARING	1
10	Y9010506792	CLUTCH SLAVE CYL BOLT #32	2
11	Y901050672300	CLUTCH SLAVE CYL BOLT #33	2
12	Y901011015900	CLUTCH BANJO BOLT	1
13	Y902011011800	BOLT WASHER (COPPER)	2
14	Y1TX1615001	PRIMARY DRIVEN GEAR	1
15	Y36Y1637100	CLUTCH BOSS	1
16	Y36Y1638300	CLUTCH BOSS SPRING	1
17	Y36Y1638400	CLUTCH PLATE #4	1
18	Y90387284K1	CLUTCH COLLAR# 19	1
19	Y36Y1615400	CLUTCH THRUST PLATE #2	1
20	Y9021525218	CLUTCH LOCK WASHER	1
21	Y9017020323	CLUTCH NUT #23	1
22	Y93100663200	CLUTCH O-RING	1
23	Y36Y1635600	CLUTCH PUSH ROD 1	1
24	Y9330600315	CLUTCH BEARING #17	1
25	Y2H7163250000	CLUTCH PLATE	7
26	Y1TX1633400	CLUTCH SPRING	1
27	Y1TX1635100	CLUTCH PRESSURE PLATE #1	1
28	Y341163211300	CLUTCH FRICTION PLATE #1	6
30	Y2H7163250000	CLUTCH BOSS RING	1
31	Y36Y163310000	CLUTCH FRICTION PLATE #2	2
32	Y36Y1633500	CLUTCH SPRING HOUSING1	1
33	Y1TX1635200	CLUTCH PRESSURE PLATE #2	1
34	Y970210601600	CLUTCH BOLT	1
OPTIONS & ACCESSORIES			
CLUTCH	105X00X604	HEAVY DUTY CLUTCH KIT	1

600 RACING, inc; ООО "Русское кольцо", МО, г. Люберцы, с. Верхнее Мячково, аэродром Мячково



BODY GROUP





BODY GROUP

REF #	PART #	DESCRIPTION	QTY
1	975000X040	MIRROR CLAMP	2
2	975000X047	REAR VIEW MIRROR- large	1
3	120X00X100	WIRE WIND SCREEN per ft	2
4	H530000004	1/8 BACK-UP WASHER	10
5	H530000001	1/8 POP RIVET	10
6	120A00X101	LEXAN WINDSCREEN- 37 CHEVY/DODGE	1
	120B00X101	LEXAN WINDSCREEN- 37 FORD	1
	120E00X101	LEXAN WINDSCREEN- 34 FORD/CHEVY	1
7	H537000103	SKYBOLT BUTTON ALUM	1
8	H537000105	SKYBOLT NYLON RET RING	1
9	H530000002	3/16 POP RIVET LARGE HEAD	1
10	H537000102	DZUS SPRING	1
11	H530000003	3/16 BACK-UP WASHER	1
12	H530000001	1/8 POP RIVET	1
13	120X00X043	HOOD PIN PLATE	1
14	120A01A040	HOOD-37 CHEVY	1
	120B01A040	HOOD- 37 FORD	1
	120E01A040	HOOD- 34 FORD/CHEVY	1
	120H01A040	HOOD- 37 DODGE	1
	120J01A040	HOOD- 40 FORD	1
15	120A10A000	BODY- 37 CHEVY SD - LT WHITE	1
	120A20A000	BODY-37 SHEVY SD - RT WHITE	1
	120B10A000	BODY- 37 FORD SD - LT WHITE	1
	120B20A000	BODY- 37 FORD SD - RT WHITE	1
	120C10A000	BODY- 37 CHEVY CP- LT WHITE	1
	120C20A000	BODY- 37 CHEVY CP - RT WHITE	1
	120E00A000	BODY- 34 FORD CP COMP WHITE	1
	120F10A000	BODY- 34 FORD SD - LT WHITE	1
	120F20A000	BODY- 34 FORD SD- RT WHITE	1
	120G10A000	BODY- 37 FORD CP - LT WHITE	1
	120G20A000	BODY- 37 FORD CP - RT WHITE	1
	120J10A000	BODY- 40 FORD CP - LT WHITE	1
	120J20A000	BODY- 40 FORD CP - RT WHITE	1
	120T00A000	BODY- 34 CHEVY CP COMP WHITE	1
16	120C02A010	DECK LID- 37 CHEVY CP- WHITE	1
	120E02A010	DECK LID- 34 FORD/CHEVY CP-WHITE	1
	120F02A010	DECK LID- 34 FORD SD- WHITE	1
	120G02A010	DECK LID- FORD COUPE WHITE (37/40)	1
	120M02A010	DECK LID- SEDAN WHITE	1
17	120A01X031	GRILL- 37 CHEVY-PAINTED	1
	120A01Y031	GRILL- 37 CHEVY-CHROME	1
	120B01X031	GRILL- 37 FORD-PAINTED	1
	120B01Y031	GRILL- 37 FORD-CHROME	1
	120E01X031	GRILL- 34 FORD-PAINTED	1
	120E01YQ31	GRILL-34 FORD-CHROME	1
	120H01X031	GRILL- 37 DODGE-PAINTED	1
	120H01Y031	GRILL- 37 DODGE-CHROME	1
	120J01X031	GRILL- 40 FORD-PAINTED	1
	120J01Y031	GRILL- 40 FORD-CHROME	1
	120T01X031	GRILL- 34 CHEVY-PAINTED	1
	120T01Y031	GRILL-34 CHEVY-CHROME	1
18	120X00X042	HOOD PIN	1
	120X00X041	HOOD CLIP	1
20	H510238003	3/8 -24 HEX NUT	1
21	H505125100	1/4-20 x 1.00 BOLT G5 PLATED	1



BODY GROUP

REF #	PART #	DESCRIPTION	QTY
22	H520025001	1/4 FLAT WASHER	1
23	H505125275	1/4-20 x 2.75 BOLT G5 PLATED	1
24	H520025001	1/4 FLAT WASHER	1
25	H520025001	1/4 FLAT WASHER	1
26	H510125003	1/4-20 NYLOC NUT	1
27	H505125100	1/4-20 x 1.00 BOLT G5 PLATED	1
28	H520025001	1/4 FLAT WASHER	1
29	H520025001	1/4 FLAT WASHER	1
30	H510125003	1/4-20 NYLOC NUT	1
	120A11A020	FENDER-LT FRT 37 CHEVY- WHITE	1
	120A21A020	FENDER-RT FRT 37 CHEVY-WHITE	1
	120B11A020	FENDER- LT FRT 37 FORD-WHITE	1
	120B21A020	FENDER- RT FRT 37 FORD-WHITE	1
	120E11A020	FENDER-LT FRT 34 FORD-WHITE	1
	120E21A020	FENDER- RT FRT 34 FORD-WHITE	1
	120J11A020	FENDER- LT FRT 40 FORD-WHITE	1
	120J21A020	FENDER- RT FRT 40 FORD-WHITE	1
32	H520025001	1/4 FLAT WASHER	1
33	H510125003	1/4-20 NYLOC NUT	1
34	H510125003	1/4-20 NYLOC NUT	1
35	H520025001	1/4 FLAT WASHER	1
36	H520025001	1/4 FLAT WASHER	1
37	H505125100	1/4-20 x 1.00 BOLT G5 PLATED	1
38	115X00X021	RUNNING BOARD LEFT SIDE	1
	115X00X022	RUNNING BOARD RIGHT SIDE	1
39	H530000003	3/16 BACK-UP WASHER	1
40	120B12A020	FENDER- LEFT REAR-WHITE	1
	120B22A020	FENDER- RIGHT REAR- WHITE	1
	120E12A020	FENDER-LT REAR 34 FORD/CHEVY WHITE	1
	120E22A020	FENDER RT REAR 34 FORD/CHEVY WHITE	1
41	H530000005	3/16 POP RIVET	1
42	H530000001	1/8 POP RIVET	1
43	H530000004	1/8 BACK-UP WASHER	1
44	120H01A030	GRILL NOSE- 37 DODGE WHITE	1
45	120E01A030	GRILL NOSE- 34 FORD/CHEVY WHITE	1

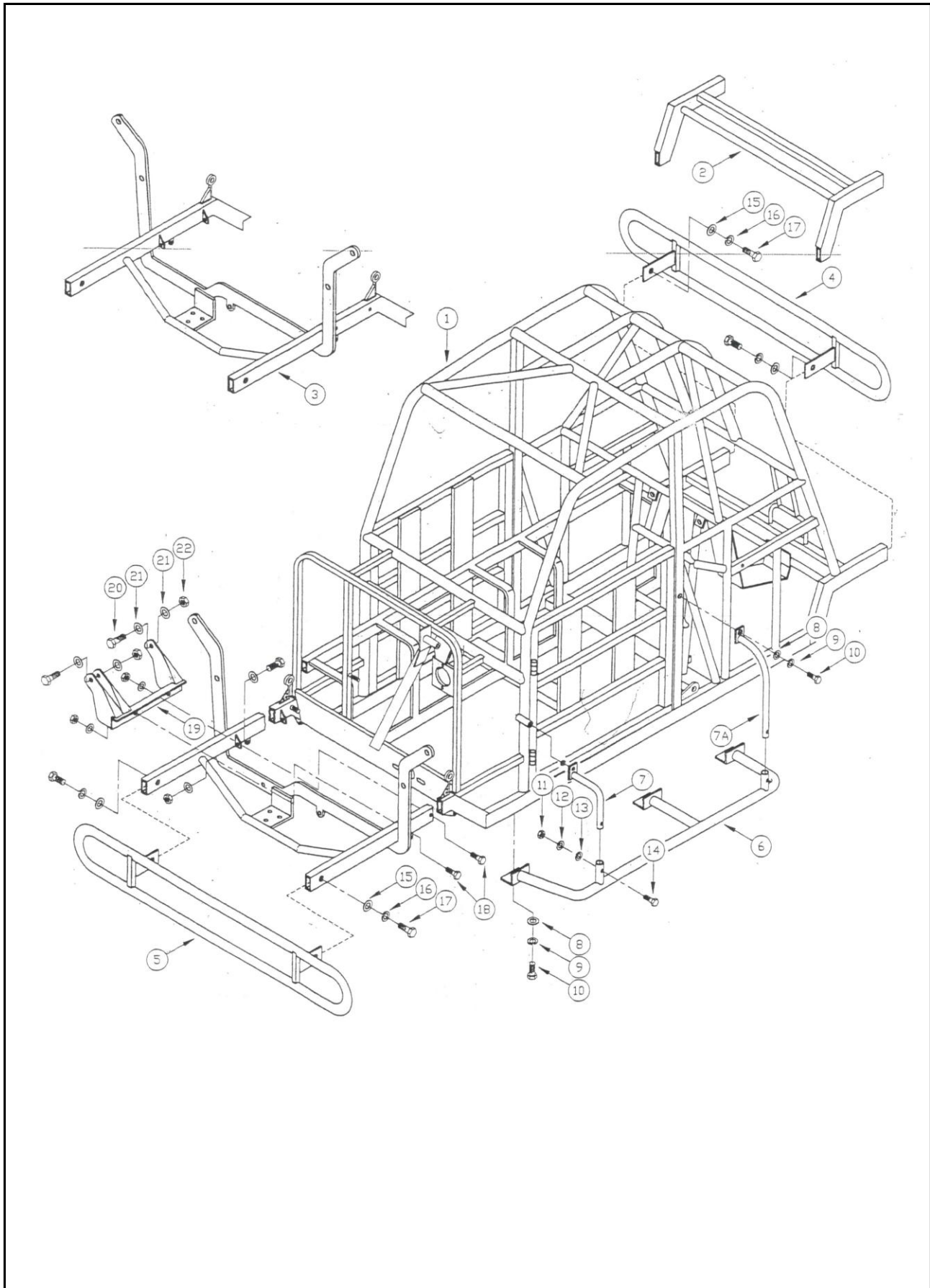
OPTIONS & ACCESSORIES

REF #	PART #	DESCRIPTION	QTY
BODY	975000X046	AC-Z MIRROR MOUNT	1
GROUP	975000X042	WIDE ANGLE MIRROR	1
LEXAN	120A00X100	LEXAN VISOR-37 CHEVY	1
	120B00X100	LEXAN VISOR-FORD TYPE	1
	120E00X100	LEXAN VISOR-34 FORD	1

600 RACING, inc; ООО "Русское кольцо", МО, г. Люберцы, с. Верхнее Мячково, аэродром Мячково



FRAME / ROLL CAGE ASSEMBLY





FRAME / ROLL CAGE ASSEMBLY

REF #	PART #	DESCRIPTION	QTY
1	110E00X001	LEGENDS CHASSIS- '34 FORD COUPE	1
	110M 00X001	LEGENDS CHASSIS-SEDAN	1
	110N00X001	LEGENDS CHASSIS-STANDARD COUPE	1
2	110X00X001	CHASSIS REAR CLIP	1
3	110X00X000	CHASSIS FRONT CLIP	1
4	110X00X121	PAINTED REAR BUMPER	1
	100X00X103	CHROME PLATED REAR BUMPER	1
5	110X00X120	PAINTED FRONT BUMPER	1
	110X00X101	CHROME PLATED FRONT BUMPER	1
6	110X00X153	COUPE NERF BAR, LEFT	1
	110X00X154	COUPE NERF BAR, RIGHT	1
	110X00X155	SEDAN NERF BAR, LEFT	1
	110X00X156	SEDAN NERF BAR, RIGHT	1
7	110X00X151	NERFBAR UPRIGHT P/C RIGHT SIDE	1
	110X00X150	NERFBAR UPRIGHT P/C LEFT SIDE	1
	110X00X158	NERFBAR UPRIGHT CHROME RIGHT SIDE	1
	110X00X157	NERFBAR UPRIGHT CHROME LEFT SIDE	1
7-A	110X00X152	NERFBAR UPRIGHT P/C LONG	2
	110X00X159	NERFBAR UPRIGHT CHROME LONG	2
8	H520038001	3/8 FLAT WASHER PLATED	1
9	H520038005	3/8 LOCK WASHER PLATED	1
10	H508138100	3/8-16 x 1.00 G8 PLATED	1
11	H510125003	1/4-20 NYLOC NUT PLATED	1
12	H520025001	1/4 FLAT WASHER PLATED	1
13	H520025005	1/4 LOCK WASHER PLATED	1
14	H505125175	1/4-20x1.75 G5 PLATED	1
15	H520031001	5/16 FLAT WASHER PLATED	1
16	H520031005	5/16 LOCK WASHER PLATED	1
17	H505131100	5/16-18 x 1.00 PLATED	1
18	H505150250	1/2-13x2.50 G8 PLATED	1
19	105X00X207	AZ-D LEFT SIDE MOTOR MOUNT	1
20	H505150275	1/2- 13x2.75 G8 PLATED	1
21	H520050002	1/2 FLAT WASHER SAE PLATED	1
22	H510150003	1/2- 13 NYLOCK NUT PLATED	1

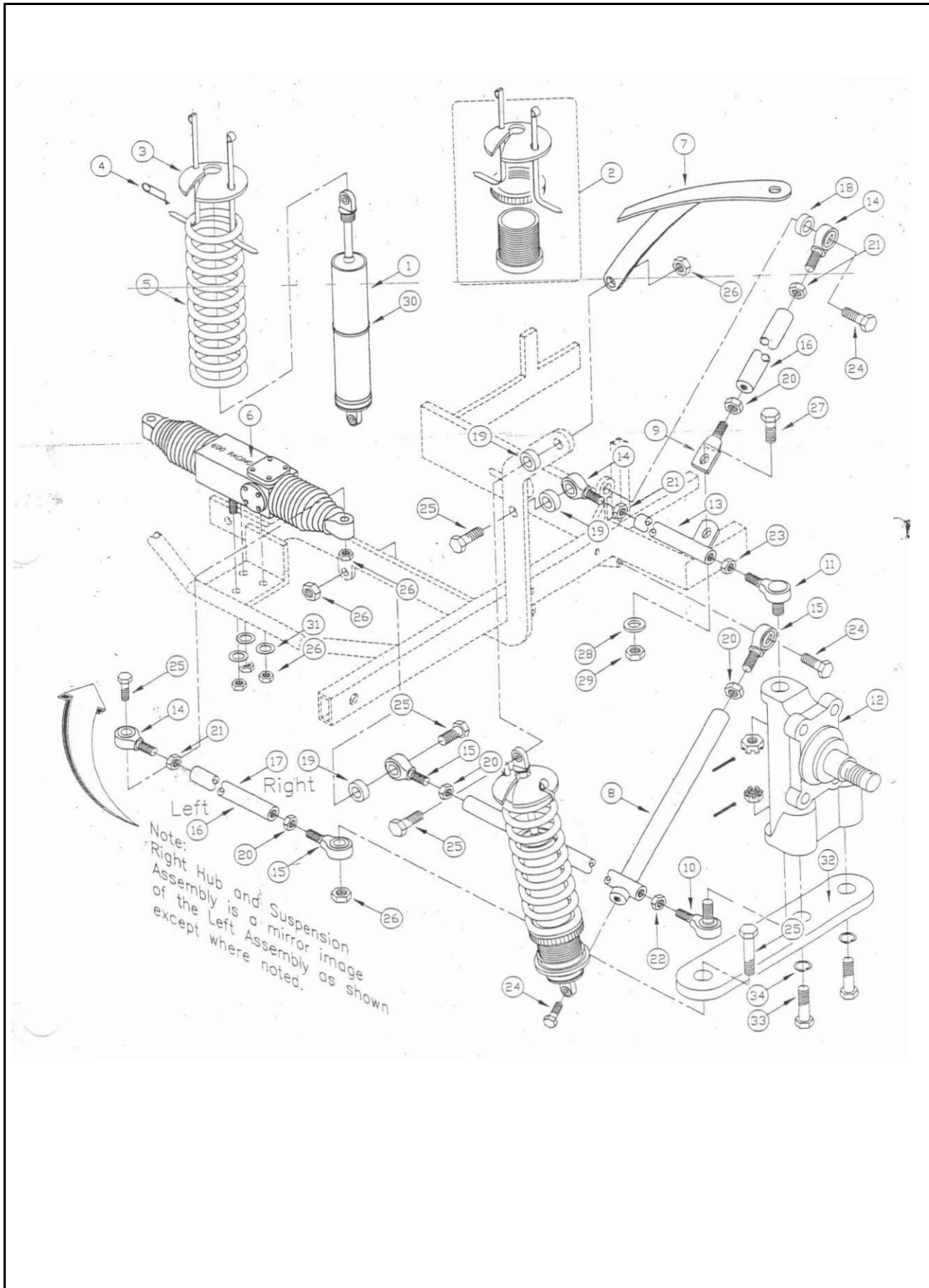
OPTIONS & ACCESSORIES

REF #	PART #	DESCRIPTION	QTY
CHASSIS	110E00X002	K CHASSIS 34 COUPE w/ SHEET METAL	1
	110M00X002	K LEGENDS CHASSIS SEDAN w/ SHEET METAL	1
	110N00X002	K CHASSIS STD COUPE w/ SHEET METAL	1
ENGINE	105X00X214	RIGHT SIDE ENGINE MOUNT KIT	1
	105X00X206	RIGHT SIDE MOTOR MOUNT	1
	105X00X205	ENGINE MOUNT ADAPTOR	1
	Y9581710075	ENGINE MOUNT ADAPTOR BOLT each	2

600 RACING, inc; ООО "Русское кольцо", МО, г. Люберцы, с. Верхнее Мячково, аэродром Мячково



FRONT SUSPENSION ASSEMBLY





FRONT SUSPENSION ASSEMBLY

REF #	PART #	DESCRIPTION	QTY
1	925X00X114	LEGENDS SHOCK BILSTEIN each	4
2	925X00X115	SHOCK KIT BILSTEIN FLAT TOP each	4
3	925X00X118	SHOCK KIT BILSTEIN FLAT TOP ONLY each	4
4	925X00X125	SHOCK DIAPER PIN	4
5	130X00X152	VIPERCOIL 150# 10" SPRING	1
	130X00X162	VIPERCOIL 162# 10" SPRING	1
	130X00X178	VIPERCOIL 175# 10" SPRING	1
	130X00X187	VIPERCOIL 185# 10" SPRING	1
	130X00X203	VIPERCOIL 200# 10" SPRING	1
	130X00X227	VIPERCOIL 225# 10" SPRING	1
	130X00X252	VIPERCOIL 250# 10" SPRING	1
	130X00X277	VIPERCOIL 275# 10" SPRING	1
	130X00X30	VIPERCOIL 300# 10" SPRING	1
	130X00X327	VIPERCOIL 325# 10" SPRING	1
	130X00X352	HYPERCOIL 350# 10" SPRING	1
	130X00X377	HYPERCOIL 375# 10" SPRING	1
6	110X00X261	STEERING RACK	1
	120X003440	FENDER BRKT-AZ-40 40/30F	2
	120X00C037	FENDER BRKT 37 AZ-H CHEV	2
	120X00F037	FENDER BRKT-AZ-I 37 FORD	2
8	125X00X002	LOWER A- ARM LEFT	1
	125X00X003	LOWER A- ARM RIGHT	1
9	125X00X001	UPPER A- ARM CLEVIS	2
10	125X00X012	BALL JOINT- LARGE TIE ROD END	2
11	125X00X012	BALL JOINT- LARGE TIE ROD END	2
12	925X00X207	SPINDLE ALUMINUM (left or right)	2
13	490V01X002	THUNDER UPPER A- ARM LFT OR RGT	2
14	925X00X001	HEIM 1/2 x 1/2 MALE LEFT	1
15	925X00X002	HEIM 1/2 x 1/2 MALE RIGHT	1
16	125X00X021	RR TIE ROD STRUT ARM 11" ALUM	1
17	125X00X022	RR REAR TRAILING ARM 12" ALUM	1
18	110X00X003	AZ-J 1/4" SUSP SPACER	2
19	110X00X004	AZ-K 1/2" CTRL ARM SPCR 11	2
20	H510250002	1/2- 20 JAM NUT RT PLATED	1
21	H510250012	1/2-20 JAM NUT LT PLATED	1
22	H510275002	3/4- 16 JAM NUT PLATED	1
23	H510275002	3/4- 16 JAM NUT PLATED	1
24	H505150150	1/2-13 x 1.50 G5 PLATED	1
25	H505150250	1/2- 13x2.50 G5 PLATED	1
26	H510150003	1/2-13 NYLOC NUT PLATED	1
27	H505138100	3/8- 16x 1.00 G5 PLATED	1
28	H520038001	3/8 FLAT WASHER PLATED	1
29	H510138003	3/8- 16 NYLOC NUT PLATED	1
30	925X00X121	SHOCK BILSTEIN SNAP RING	1
31	H520050001	1/2 FLAT WASHER USS PLT	1



FRONT SUSPENSION ASSEMBLY

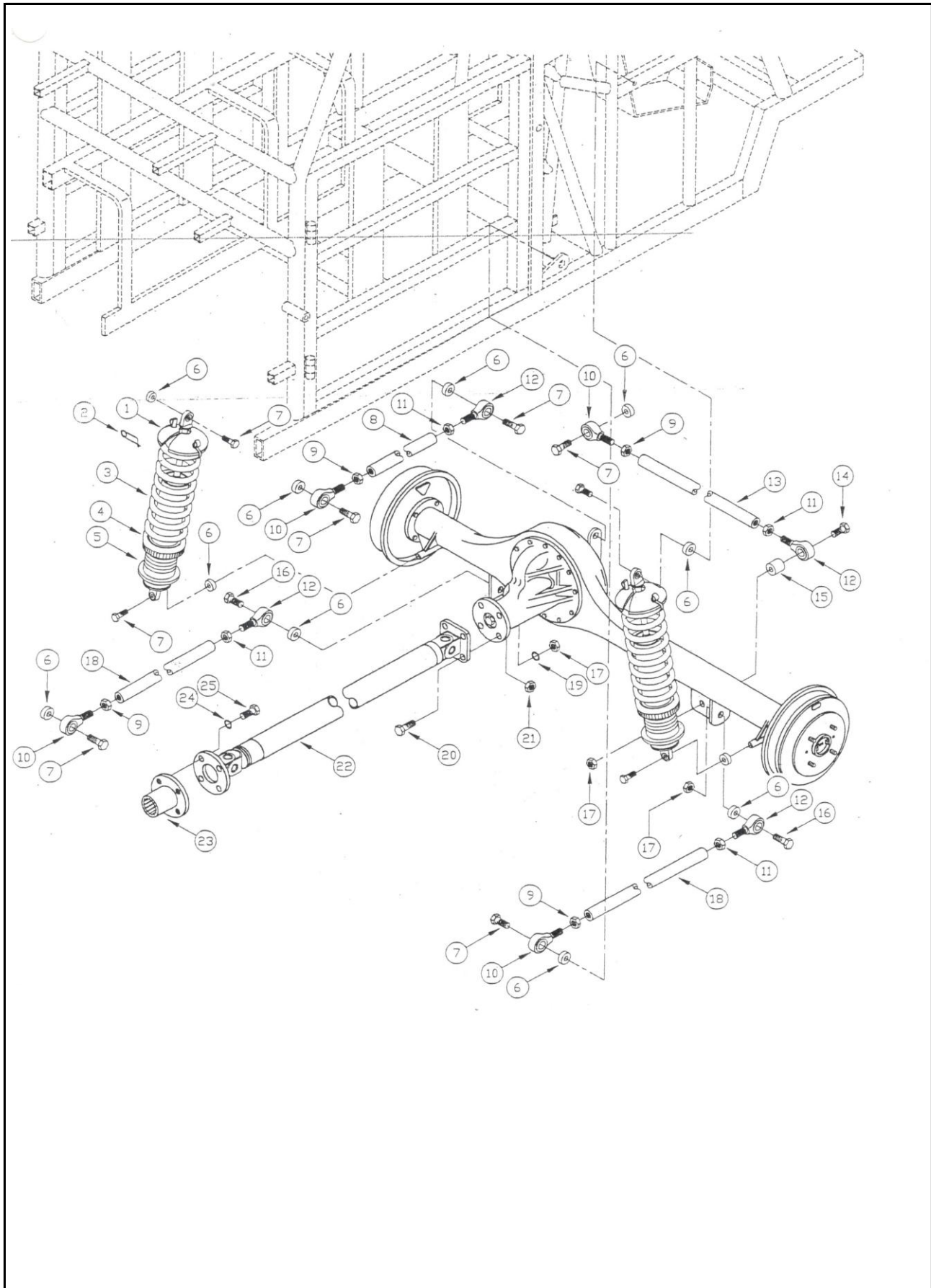
OPTIONS & ACCESSORIES

REF #	PART #	DESCRIPTION	QTY
ALUM	925X00X208	SPINDLE ALUMINUM KIT (left or right)	2
SPINDLE	925X00X204	SPINDLE ARM	1
	925X00X206	SPINDLE BASE (aluminum)	1
STEERING	110X00X264	STEERING RACK ALUM END	1
	110X00X265	STEERING RACK MOUNT KIT	1
	110X00X259	STEERING RACK PINION SHAFT	1
	110X00X266	STEERING RACK SHIM (.005, .002, .010, .020)	1
	110X00X267	STEERING RACK STUD	1
	110X00X262	STR RACK BOOT COVER	1
	110X00X275	STR RACK BRASS SHIM	1
	110X00X257	STR RACK PINION BUSH STEEL	1
	110X00X258	STR RACK PINION SEAL RUBB	1
	110X00X263	STR RACK SHAFT BUSH BRASS	1
	110X00X260	STR RACK TOP PLATE	1
	160X00X106	STEERING RACK REB KIT	1
	990X00X226	AC-W RACK MOUNTING PLATE ONLY	1

600 RACING, inc; ООО "Русское кольцо", МО, г. Люберцы, с. Верхнее Мячково, аэродром Мячково



REAR SUSPENSION ASSEMBLY

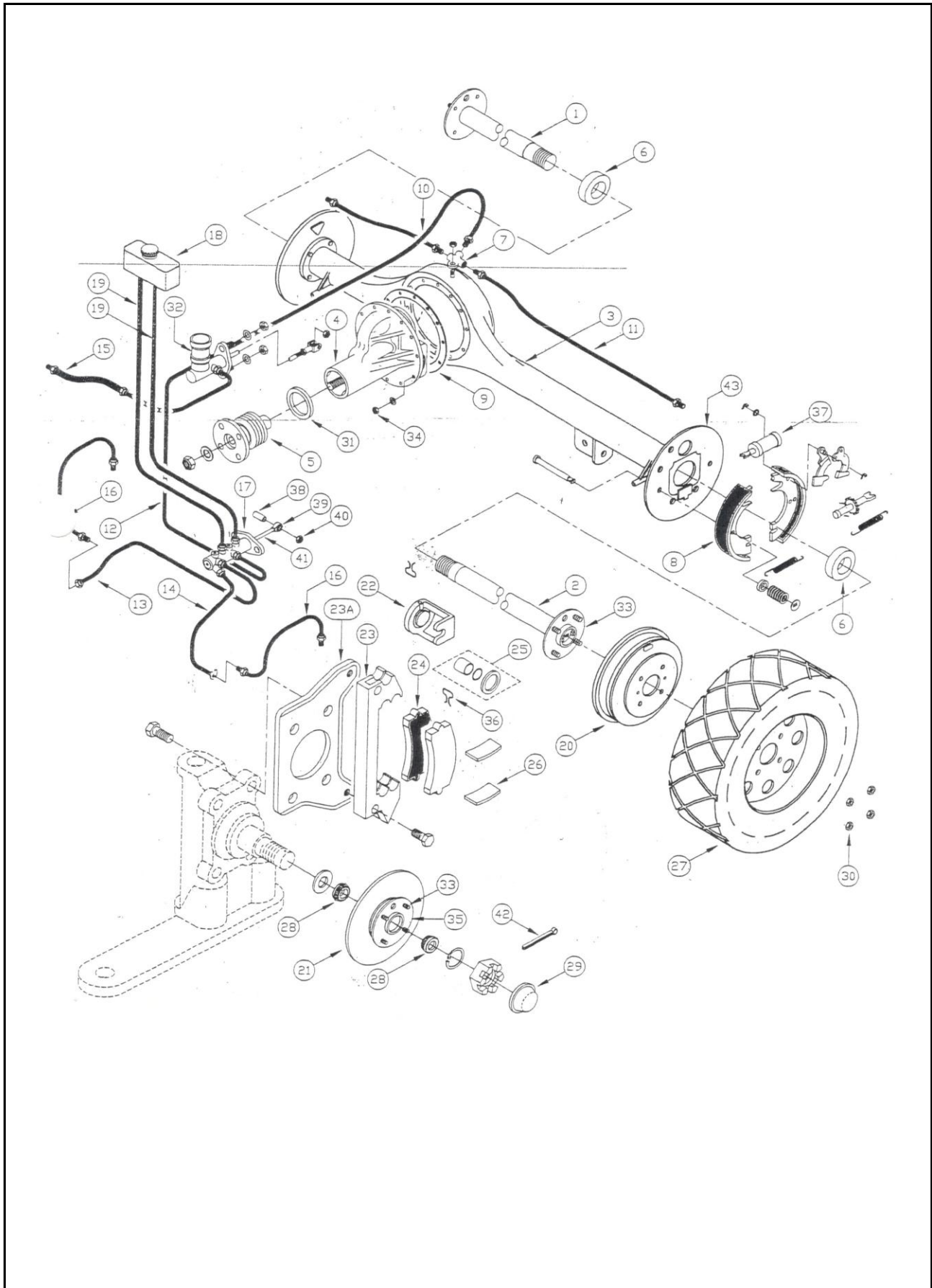




REAR SUSPENSION ASSEMBLY

REF #	PART #	DESCRIPTION	QTY
1	925X0X118	SHOCK KIT BILSTEIN FLAT TOP ONLY	4
2	925X00X125	SHOCK DIAPER PIN	4
3		SPRINGS- PLEASE REFER TO PAGE	4
4	925X00X117	SHOCK KIT BILSTEIN NUT	4
5	925X00X114	LEGENDS SHOCK BILSTIEN	4
6	110X00X003	AZ-J 1/4" SUSP SPACER	2
7	H508150150	1/2-13 x 1.50 G8 PLATED	1
8	125X00X023	RR UPPER REAR LINK AULM 6.5	1
9	H510250012	1/2- 20 JAM NUT LT PLTD	1
10	925X00X001	HEIM 1/2 x 1/2 MALE LEFT	1
11	H510250002	1/2-20 JAM NUT RT PLTD	1
12	925X00X002	HEIM 1/2 x 1/2 MALE RIGHT	1
13	125X00X020	PANHARD BAR 23.5	1
14	H505150275	1/2-13x2.75 G5 PLTD	1
15	110X00X005	AZ-L 3/4" PANHARD SPACER	1
16	H508150175	1/2-13x1.75 G8 PLATED	1
17	H510150003	1/2-13 NYLOCK NUT PLATED	1
18	125X00X022	REAR TRAILING ARM ALUM 12	2
19	H520050002	1/2 FLAT WASHER SAE PLT	1
20	H505131125	5/16 - 18x 1.25 G5 PLTD	1
21	H510131003	5/16-18 NYLOC NUT PLTD	1
22	140X00X001	FJ1200 DRIVESHAFT ASSEMBLY	1
23	105X00X217	SPROCKET ADAPTER	1
24	H520031005	5/16 LOCK WASHER PLTD	1
25	H505131100	5/16- 18x 1.00 PLATED	1

600 RACING, inc; ООО "Русское кольцо", МО, г. Люберцы, с. Верхнее Мячково, аэродром Мячково





BRAKE ASSEMBLIES — FRONT & REAR

1	140X00X013	REAR AXLE SHORT- RT SIDE	1
	440V00X004	1-PIECE REAR AXLE SHORT	1
2	140X00X012	REAR AXLE LONG- LT SIDE	1
3	440V00X003	1-PIECE REAR AXLE LONG	1
	140X02X004	REAR END HOUSING (DOUBLE SHEAR)	1
4	140X02X200	REAR DIFF RECYCLED-3.58	1
		GEAR OPTIONS- SEE FOLLOWING PAGE	
5	1'40x02x110	CRUSH COLLAR FOR GEAR SET	1
6	140X00X014	REAR AXLE BEARING	2
7	145X00X054	BRAKE LINE T- FITTING/ REAR	1
8	145X00X042	REAR BRAKE SHOE (set of 4)	2
9	140X02X114	REAR DIFF GASKET	1
10	145X00X019	ABL-2 RT REAR BRAKE LINE	1
11	145X00X021	ABL-4 LT REAR BRAKE LINE	1
12	145X00X023	DBL-1 MASTER CYLINDER TO REAR BR LINE	1
13	145X00X022	ABL-5 RIGHT FRONT BRAKE LINE	1
14	145X00X020	ABL-3 LT FRONT BRAKE LINE	1
15	105X00X616	ABL-6 CLUTCH BRAKE LINE	1
16	145X00X017	BRAIDED BRAKE LINE KIT	2
17	145X00X026	STANDARD BRAKE MASTER CYLINDER	1
18	145X00X048	STD BRAKE M/C RESERVOIR ONLY	1
19	145X00X027	HOSE FOR STANDARD M/C (per ft)	1
20	145X00X012	BRAKE DRUM RECYCLED	2
21	145X00X041	BRAKE ROTOR	2
22	145X00X002	BRAKE CALIPER 144R 2"	1
	145X00X003	BRAKE CALIPER 145L 2"	1
	145X00X004	BRAKE CALIPER 500 R 2 1/8"	1
	145X00X005	BRAKE CALIPER 501L 2 1/8 "	1
23	145X00X007	BRAKE CALIPER BRACKET	2
23-A	145X00X008	BRAKE CALIPER PLATE (specify left or right)	2
24	145X00X037	FRONT BRAKE PADS	2
25	145X00X010	FRT BRAKE CALIPER REBUILD KIT 51mm	2
	145X00X011	FRT BRAKE CALIPER REBUILD KIT 54 mm	2
26	145X00X009	BRAKE CALIPER SHIM	2
27	135X00X001	TIRE- BF GOODRICH T/A 205/60/13	4
28	125X00X007	FRONT AXLE BEARING- inner & outer bearings	2
29	125X00X008	FRONT AXLE DUST COVER	2
30	135X00X201	CHROME LUG NUT 1.5	16
31	140X02X117	REAR END PINION SEAL	1
32	105X00X602	CLUTCH MASTER CYLINDER	1
33	135X00X200	FRONT WHEEL STUD / REAR AXLE WHEEL STUD	8
34	H532108125	8mm-1.25 METAL LOCKNUT	1
35	990X00X255	FRONT AXLE HUB ASSY USED	1
36	145X00X046	FRONT BRAKE SHIM CLIP	1
37	145X00X045	13/16 WHEEL CYLINDER REBUILT (new)	2
38	110X00X008	AZ-0 BRAKE PEDAL SPACER	1
39	925X00X003	HI EM 1/4 x 1/4 FEML RT	1
40	H510125003	1/4-20 NYLOC NUT	1
41	H505125275	1/4-28 x 2.75 G5	1
42	H530200100	1" COTTER PIN	1
43	145X00X013	BR DRUM BACKING PLATE (specify LT or RT)	2



BRAKE ASSEMBLIES - FRONT & REAR

OPTIONS & ACCESSORIES

REF #	PART #	DESCRIPTION	QTY
	140X02X003	REAR END DOUBLE SHEAR BRACKETS	1
GEARS	140X02X203	REAR DIFF RECYCLED 3.73	1
	140X02X201	REAR DIFF RECYCLED 3.30	1
	140X02X202	REAR DIFF RECYCLED 3.42	1
	140X02X204	REAR DIFF RECYCLED 3.90	1
	140X02X205	REAR DIFF RECYCLED 4.10	1
	140X02X308	RICHMOND REAR DIFF 3.30	1
	140X02X301	RICHMOND REAR DIFF 3.33	1
	140X02X302	RICHMOND REAR DIFF 3.42	1
	140X02X3089	RICHMOND REAR DIFF 3.73	1
	140X02X304	RICHMOND REAR DIFF 3.90	1
	140X02X305	RICHMOND REAR DIFF 4.10	1
	140X02X400	RICHMOND REAR DIFF 2.50	1
	140X00X407	RICHMOND REAR DIFF 2.93 w/ SPOOL	1
	140X00X403	RICHMOND REAR DIFF 3.33 w/ SPOOL	1
	140X00X404	REAR DIFF 3.73 RECYCLED w/ SPOOL	1
	140X00X405	RICHMOND REAR DIFF 3.42 w/ SPOOL	1
	140X00X406	RICHMOND REAR DIFF 3.90 w/SPOOL	1
	140X00X407	RICHMOND REAR DIFF 2.93 w/SPOOL	1
	140X00X408	REAR DIFF 3.58 RECYCLED w/SPOOL	1
	140X02X100	2.50 RING & PINION SET 49-0114-1	1
	140X02X101	3.33 RING & PINION SET 49-0115-1	1
	140X02X102	3.42 RING & PINION SET 49-0116-1	1
	140X02X104	3.90 RING & PINION SET 49-0117-1	1
	140X02X105	4.10 RING & PINION SET 49-0118-1	1
	140x02x107	3.30 RING & PINION SET 49-0281-1	1
	140x02x108	3.73 RING & PINION SET 49-282-1	1
	140X02X106	2.93 RING & PINION SET 49-0119-1	1
	140X02X111	GEAR PINION SHIM (set of 4)	1
	140X02X112	2.50 SPOOL ROADRACE	1
	140X02X113	STANDARD REAR SPOOL	1
	955X00X330	GEAR INDICATOR DIGITAL	1
BRAKES	145X00X058	BRAKE ROTOR BREMBO	2
	145X00X107	CARBOTECH GOLD PADS	1
	145X00X035	MINTEX BRAKE PADS (set of 4)	1
WHEELS	135X00X100	BASSETT WHEEL BLACK 5	4
	135X00X101	BASSETT WHEEL SILVER 5	4
	135X00X102	CHROME PLATED TRAP WHEEL	4
	135X00X110	BLACK PAINTED TRAP WHEEL	4



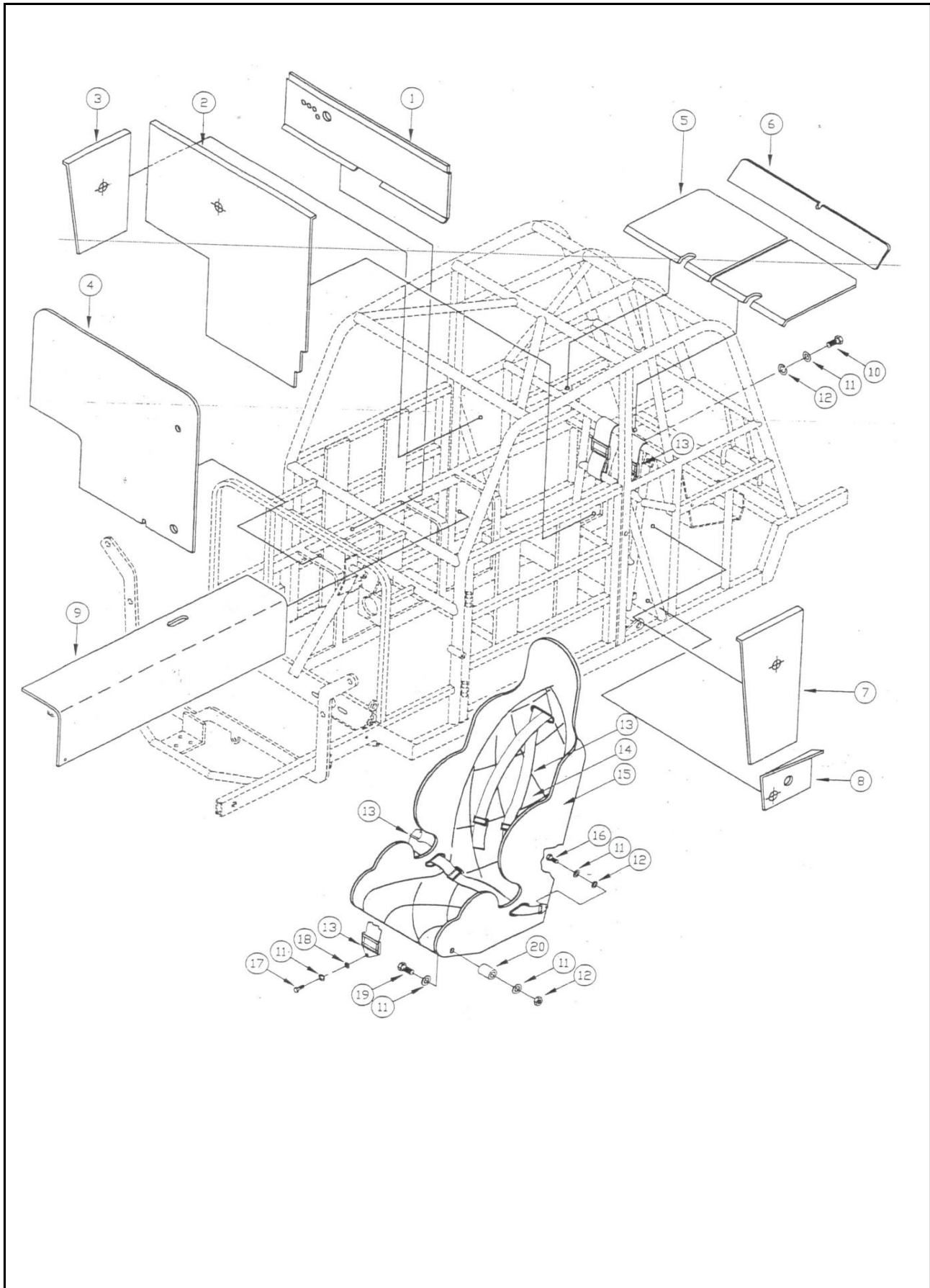
BRAKE ASSEMBLIES - FRONT & REAR

REF #	PART #	DESCRIPTION	QTY
	935X00X201	VALVE STEM 1/2" (LEGEND, BANDO, ROADSTER)	4
	935X00X202	CHROME STEEL VALVE STEMS	4
	935X00X203	VALVE STEM 5/8" (FOR BASSETT WHEELS ONLY)	4
	H510275007	3/4-16 CASTLE NUT	1
ACCESSORIES	975X00X861	INTERCOMP COIL SPRING TESTER #100	1
	975X00X862	INTERCOMP PAD LEVELLER W/ ROLLOFF	1
	975000X063	STOPWATCH	1
	975000X064	STOPWATCH w/ LAP BOARD	1
	975000X065	TIMING SHEETS PACK OF 50	1
	975000X803	TIRE DUROMETER	1
	975000X855	INTERCOMP E-Z WEIGH SCALES 170125	1
	975000X856	INTERCOMP QUIK WEIGH SCALES 170126	1
	975000X857	INTERCOMP WHEEL CASTER CAMBER GAUGE	1
	975000X858	INTERCOMP DIGITAL TIRE PYROMETER	1
	975X00X859	INTERCOMP TOE PLATE SET	1
	975X00X861	INTERCOMP COIL SPRING TESTER #100	1
	975X00X862	INTERCOMP PAD LEVELLER W/ ROLLOFF	1
	975000X863	INTERCOMP LAP TIMER #360050	1
	975X00X864	INTERCOMP SCALE CART W/WHEELS	1
	975X00X865	INTERCOMP COMPUTER CARD	1
	975X00X866	INTERCOMP DUNLOP WHEEL CLAMP	1
	975X00X867	INTERCOMP DIGITAL AIR PRESSURE GAUGE	1
	975X00X868	INTERCOMP RAMP SET	1
	975X00X869	INTERCOMP 0-30 TIRE GAUGE	1
	975X00X870	INTERCOMP 0-60 TIRE GAUGE	1
	975X00X871	INTERCOMP IN CAR UNIT LAP TIMER ONLY	1

600 RACING, inc; ООО "Русское кольцо", МО, г. Люберцы, с. Верхнее Мячково, аэродром Мячково



INTERIOR PANELS & SEAT ASSEMBLY





INTERIOR PANELS & SEAT ASSEMBLY

REF #	PART #	DESCRIPTION	QTY
1	115X00X004	DASHBOARD DA-1 (standard)	1
	115X00X005	DASHBOARD DA-1 (34)	1
2	115X00X016	REAR PNL, BEHIND SEAT DA-5	1
3	115X00X017	RIGHT SIDE PANEL DA-10 CP	1
	115X00X018	RIGHT SIDE PANEL DA-10 SD	1
4	115X00X006	FIREWALL DA-3	1
5	115X00X019	UPPER SHELF PNL DA-6 SD	1
	115X00X020	UPPERSHELF PNL DA-8 CP	1
6	115X00X012	PACKAGE TRAY 34SD DA12-1	1
	115X00X013	PACKAGE TRAY FD SD DA-12	1
	115X00X014	PACKAGE TRAY CP DA-11	1
	115X00X015	PACKAGE TRAY CH SD DA-13	1
7	115X00X008	LEFT SIDE PANEL UP DA-9 C	1
	115X00X009	LEFT SIDE PANEL UPR DA-9S	1
8	115X00X010	LEFT SIDE PANEL LOWER DA-7C	1
	115X00X011	LEFT SIDE PANEL LWR DA-7S	1
9	115X00X003	DRIVESHAFT TUNNEL DA-4	1
10	H508138125	3/8-16 x 1.25 G5	1
11	H520038001	3/8 FLAT WASHER PLATED	1
12	H510138003	3/8-16 NYLOC NUT PLATED	1
13	110X00X400	SAFETY HARNESS G-Force Pro Series	1
14 & 15	910X00X009	RICHARDSON 15" BLACK SEAT	1
	910X00X010	RICHARDSON 16" BLACK SEAT	1
	910X00X011	RICHARDSON 17" BLACK SEAT	1
	910X00X012	RICHARDSON 18" BLACK SEAT	1
	910X00X013	RICHARDSON 15" BLUE SEAT	1
	910X00X014	RICHARDSON 16" BLUE SEAT	1
	910X00X015	RICHARDSON 17" BLUE SEAT	1
	910X00X016	RICHARDSON 18" BLUE SEAT	1
	910X00X017	RICHARDSON 15" RED SEAT	1
	910X00X018	RICHARDSON 16" RED SEAT	1
	910X00X019	RICHARDSON 17" RED SEAT	1
	910X00X020	RICHARDSON 18" RED SEAT	1
	910X00X021	RICHARDSON SEAT COVER ONLY	1
16	H508138125	3/8-16x1.25 G8 PLATED	1
17	H508138100	3/8-16 x 1.00 G8 PLATED	1
18	H520038005	3/8 LOCK WASHER PLATED	1
19	H505138200	3/8-16x2.00 G5 PLATED	1
SHEET METAL	115X00X001	INTERIOR SHEET METAL COUPE-COMLETE- WITH PACKAGE TRAY-SPECIFY MODEL	1
	115X00X002	INTERIOR SHEET METAL SEDAN-COMLETE WITH PACKAGE TRAY-SPECIFY MODEL	1



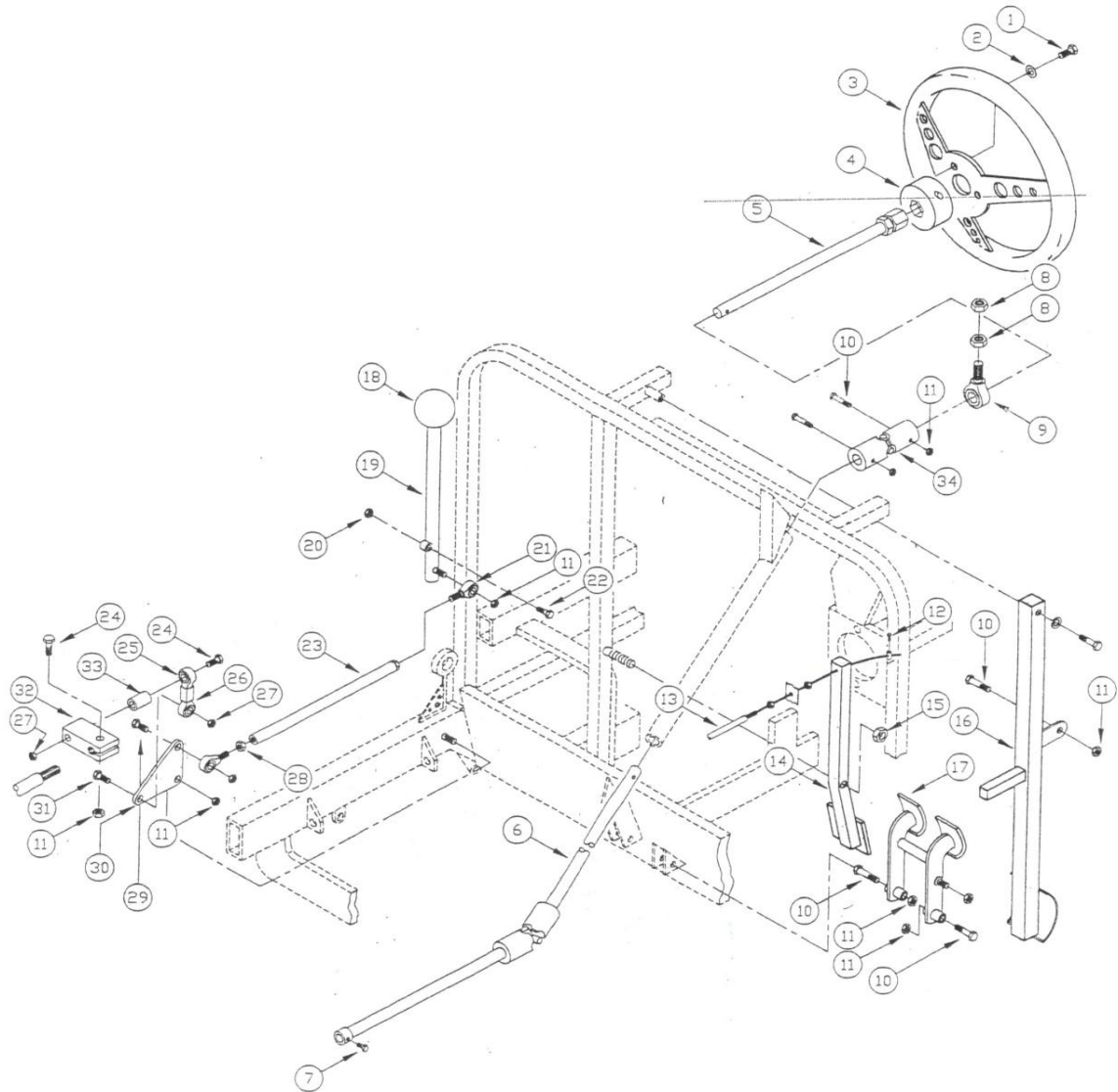
FOR THE FOLLOWING ITEMS
SPECIFY COLOR: BLK/ RED/ BLUE
SPECIFY SIDE: LEFT or RIGHT

REF #	PART #	DESCRIPTION	QTY
RICHARDSON	975000X614	RICHARDSON SKINNY HEADREST	1
	975000X615	RICHARDSON SHOULDER SUPPORT	1
	975000X616	RICHARDSON CUSTOM SEAT	1
	975000X617	RICHARDSON 1-PIECE HEADREST	1
	975000X610	BUTLERBUILT HEADREST COVER	1
	975000X611	BUTLERBUILT SEAT COVER	1
	975000X621	RICHARDSON STANDARD HEADREST	1

600 RACING, inc; ООО "Русское кольцо", МО, г. Люберцы, с. Верхнее Мячково, аэродром Мячково



CONTROL GROUP





CONTROL GROUP

REF #	PART #	DESCRIPTION	QTY
1	H505131075	5/16 - 18 x .75 PLATED	3
2	H520031005	5/16 LOCK WASHER PLATED	3
3	975000X301	STEERING WHEEL 13.5 DIA	1
4	110X00X256	STR WHEEL Q RELEASE ASSY	1
5	110X00X254	UPPER STR COL SHAFT w/ HEX	1
6	110X00X251	LOWER 2/3 STR COL ASSY	1
7	H534031050	5/16- 24 x .5 DRILLED HD	1
8	H510275002	3/4- 16 JAM NUT PLATED	2
9	925X00X005	HEIM, 3/4 x .757 MALE RGT	1
10	H505131200	5/16- 18x2.00 G5 PLATED	2
11	H510131003	5/16- 18 NYLOC NUT PLTD	2
12	955X00X015	THROTTLE STOP	1
13	Y3XW2630200	THROTTLE CABLE ASSEMBLY	1
14	955X00X014	GAS PEDAL	1
15	H510131003	5/16- 18 NYLOC NUT PLTD	1
16	105X00X603	CLUTCH PEDAL	1
17	145X00X038	BRAKE PEDAL	1
18	110X00X204	SHIFTER KNOB, BLACK	1
19	110X00X202	SHIFTER	1
20	H510138003	3/8- 16 NYLOC NUT PLATED	1
21	925X00X008	HEIM,5/16x5/16 MALE RGT	1
22	H505138200	3/8- 16x2.00 G5 PLATED	1
23	110X00X201	SHIFTER ROD	1
24	H505131150	5/16-18 x 1.50 G5 PLATED	1
25	925X00X003	HEIM, 1/4 x 1/4 FEMALE RGT	1
26	925X00X004	HEIM, 1/4 x 1/4 MALE RGT	1
27	H510125003	1/4- 20 NYLOC NUT PLATE	1
28	H510238003	3/8- 24 HEX JAM NUT PLATED	1
29	H505131100	5/16-18x1.00 PLATED	1
30	110X00X203	SHIFTER BELL CRANK	1
31	H505131125	5/16- 18x 1.25 G5 PLTD	1
32	110X00X206	SHIFT ADAPTOR, SPLINED STEEL	1
33	110X00X008	AZ-0 BRAKE PEDAL SPACER	1
34	110X00X253	STR SHAFT U-JOINT 3/4 UNSPLINED	2
	110X00X252	STR SHAFT U-JOINT 3/4 SPLINED	1

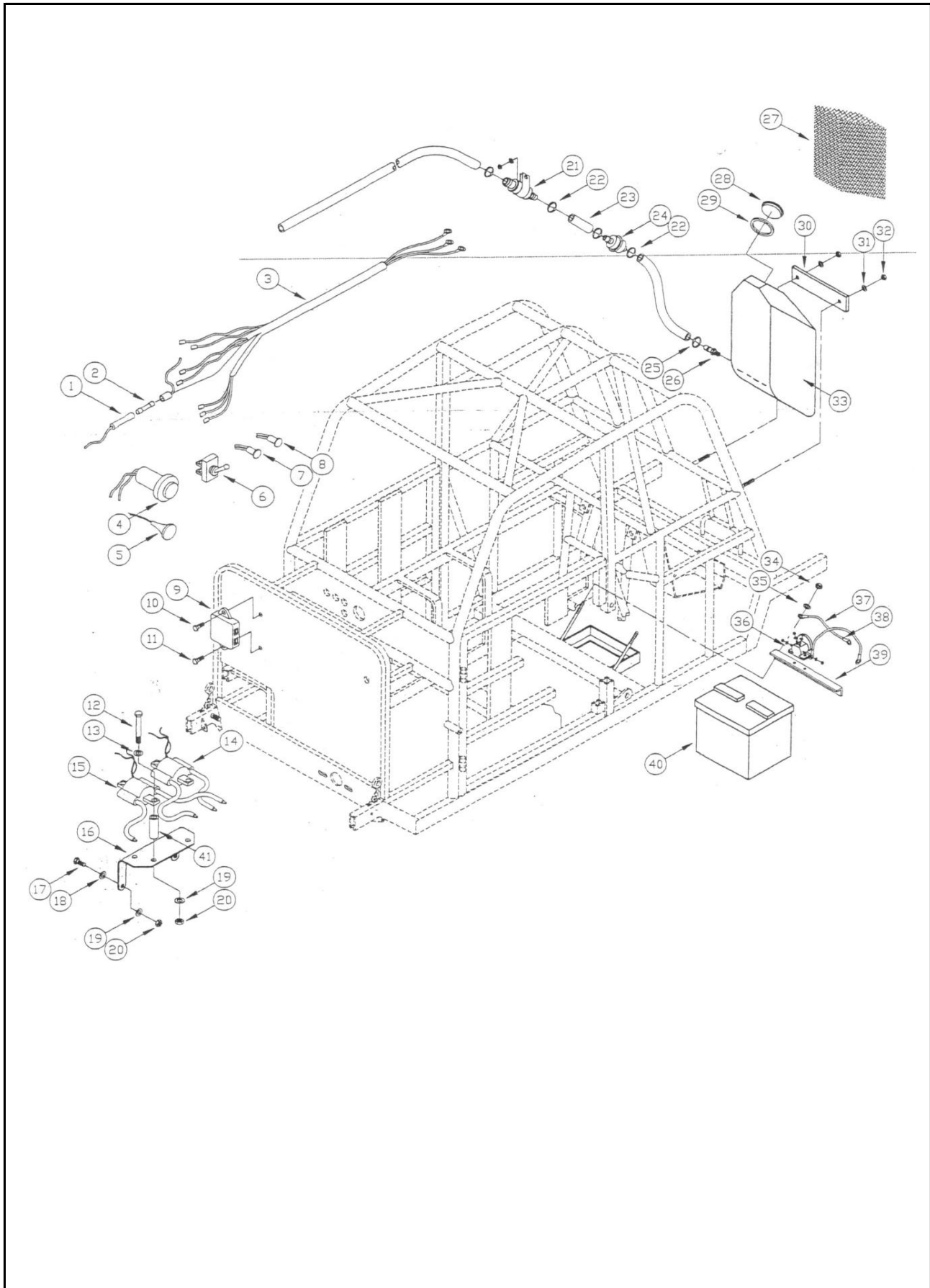
OPTIONS & ACCESSORIES

REF #	PART #	DESCRIPTION	QTY
STEERING	975000X306	STEERING WHEEL 12" FLAT	1
	110X00X250	STR COLUMN ASSEMBLY	1

600 RACING, inc; ООО "Русское кольцо", МО, г. Люберцы, с. Верхнее Мячково, аэродром Мячково



ELECTRICAL GROUP / FUEL CELL GROUP





ELECTRICAL GROUP / FUEL CELL GROUP

REF #	PART #	DESCRIPTION	QTY
1	9155X00X507	FUSE HOLDER	1
2	955X00X505	30 AMP FUSE	1
3	155X00X001	LEGENDS STD WIRING HARNESS	1
	155X00X003	OIL PRESSURE WIRING	1
	155X00X004	OIL TEMP WIRING	1
4	955X00X306	STARTER BUTTON HD	1
5	955X00X001	CHOKE CABLE ASSY	1
6	955X00X308	IGNITION TOGGLE SWITCH	1
7	955X00X310	RED WARNING LIGHT	1
8	955X00X311	GREEN WARNING LIGHT	1
9	Y4PU823050000	IGNITOR BOX XJ1200	1
	105X00X210	IGN D BOX FJ/XJ KIT	1
	105X00X215	INEX RED COILS	1
	105X00X216	INEX COIL WIRES	1
	105X00X213	IGN RED BOX ONLY	1
	105X00X212	IGN WIRE HARNESS	1
	105X00X211	IGN PICKUP COIL (BLUE)	1
	155X00X005	FJ IGN WIRING HARNESS	T
10	H505125075	1/4 X .75 BOLT G5 PLATED	1
11	H505125075	1/4 X .75 BOLT G5 PLATED	1
12	H505125150	1/4 X 1.5 BOLT G5 PLATED	1
13	H520025001	1/4 FLAT WASHER	1
14	Y4KG823100000	IGNITION COIL #1 XJ	1
15	Y4KG823200000	IGNITION COIL #2 XJ	1
16	105X00X208	IGNITION COIL MTG PLATE	1
17	H505125075	1/4 X.75 BOLT G5 PLATED	1
18	H520025001	1/4 FLAT WASHER	1
19	H520025001	1/4 FLAT WASHER	1
20	H510125003	1/4-20 NYLOC NUT	1
21	955X00X013	FUEL PUMP	1
22	H530331000	5/16 HOSE CLAMP	1
23	955X00X010	5/16 FUEL LINE	10
24	955X00X029	FUEL FILTER (STEEL)	1
25	H530331000	5/16 HOSE CLAMP	1
26	955X00X022	FUEL CELL BARB 5/16	1
	955X00X032	FUEL CELL 90 MALE TO FEMALE FITTING	1
27	955X00X004	FUEL CELL FOAM	1
28	255X00X030	Z FUEL CELL CAP	1
29	255X00X032	Z FUEL CELL GASKET	1
	255X00X033	Z FUEL CELL FLANGE GASKET	1
30	955X00X017	FUEL CELL HOLD DOWN	1
31	H520031001	5/16 FLAT WASHER	1
32	H510131003	5/16-18 NYLOC NUT PLATED	1
33	955X00X024	FUEL CELL PLASTIC 4.1 GAL BLACK	1
34	H510131003	5/16-18 NYLOC NUT PLATED	1
35	H520031001	5/16 FLAT WASHER	1
36	955X00X305	STARTER SOLENOID	1
37	955X00X201	BATTERY CABLE-BLACK	1
38	955X00X202	BATTERY CABLE-RED	1
39	955X00X016	AZ-B BATTERY HOLD DOWN	1
40	955X00X200	BATTERY 26T-60 LEGENDS	1
41	110X00X007	AZ-N IGN PLT & SHIFT SPACER	1



CONTROL GROUP

OPTIONS & ACCESSORIES

REF #	PART #	DESCRIPTION	QTY
FUEL PUMP	155X00X008	FUEL PUMP CUT OFF SWITCH	1
FUEL CELL	955X00X006	FUEL CELL METAL 4.1 GAL RED	1
	955X00X028	FUEL CELL CAP METAL	1
	955X00X023	FUEL CELL GASKET (METAL)	1
GAUGES	955X00X313	OIL PRESSURE GAUGE	1
	955X00X314	OIL PRESSURE SENDER	1
	955X00X312	OIL PRESSURE SENDER ADAPTER	1
	955X00X315	OIL TEMP GAUGE	1
	955X00X316	OIL TEMP GAUGE PLUG	1
	955X00X317	OIL TEMP SENDER	1
	955X00X324	STEWART WARNER RECALL TACH	1
	955X00X330	DIGITAL GEAR INDICATOR	1

600 RACING, inc; ООО "Русское кольцо", МО, г. Люберцы, с. Верхнее Мячково, аэродром Мячково